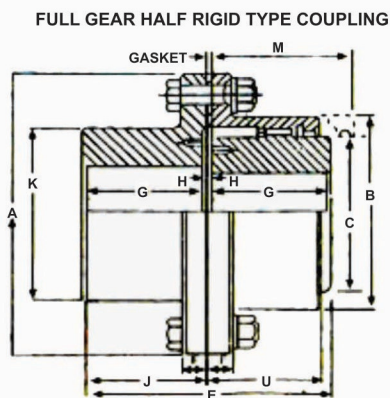
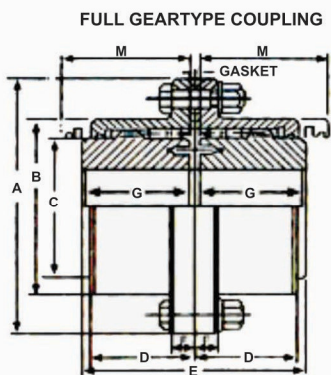


### UNIQUE GEAR COUPLINGS GX SERIES



Ratings And Dimensions Full Geared Coupling And Half Gear Half Rigid Couplings

Gear Coupling No.	Maximum Bore in M.M		Piolt Bore mm	Max. Speed R.P.M.	Load Torque Kg.M.	Capacity HP Per 100R.P.M	GD Kg.M	Dimensions in mm											Wt. in Kg.
	Gear	Rigid						A	B	C	D	E	F	G	H	J	K	M	
GX 100	35	50	10	8000	50	7	.03	120	75	50	39.5	93	15	45	1.5	46.5	70	55	4.2
GX 101	50	60	20	6300	100	14	.14	170	110	65	49	115	17	55	2.5	57.5	85	65	10
GX 102	60	75	30	5000	250	35	.20	185	125	85	62	145	17	70	2.5	75.5	110	80	15
GX 103	75	90	40	4000	450	63	.48	220	150	105	78	175	20	85	2.5	87.5	130	105	26
GX 104	90	110	50	3300	850	119	.95	250	175	130	96	215	20	105	2.5	107.5	160	125	40
GX 105	110	130	60	2800	1300	182	1.90	290	200	155	106	230	25	110	5.0	115	185	140	62
GX 106	125	150	75	2500	2000	280	3.00	320	230	175	117	260	25	125	5.0	130	215	155	85
GX 107	140	170	90	2100	3500	490	5.25	350	260	205	134	290	25	140	5.0	145	240	175	120
GX 108	160	200	105	1900	4500	630	8.50	380	290	230	147	320	25	155	5.0	160	288	190	180
GX 109	180	220	125	1700	5600	784	15.00	430	330	250	156	310	25	165	5.0	170	315	205	210
GX 110	220	260	140	1400	8200	1148	30.50	490	390	310	171	370	25	180	5.0	185	370	220	290
GX 111	260	-	160	1250	10939	1200	58.00	545	445	350	192	410	35	200	6.0	192		240	550
GX 112	300	-	180	1120	14623	1532	88.00	590	490	400	231	490	35	240	6.0	231		280	710

We offer high quality unique gear coupling that offers high torque transmission, capable of both high loads and high speed. The design of these coupling is such that it accommodates ample mechanical flexibility and compensation of parallel, angular and axial misalignment within allowable rating and permit axial end float. Unique gear couplings are mechanical device that transmit torque between two shafts. The couplings comprises of a flexible joint which is fixed to each shaft. The two joints of the couplings are connected by a third part called pin. The gear teeth in the coupling having high backlash allows angular misalignment. The excess backlash has the ability to contribute to the vibration.