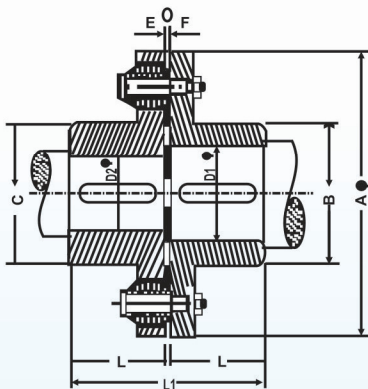
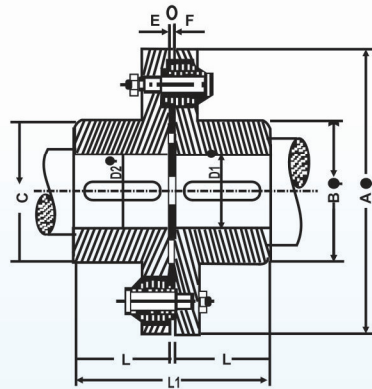


UNIQUE PIN BUSH COUPLING



From PB - 96 To PB - 400



From PB - 450 To Onward



SIZE	NO OF PINS	TORQUE NM	HP/100 RPM	MAX SPEED RPM	Max. Bore		Appx. Dimension mm					
					d1 DIA MM	d2 DIA MM	DIA A	B	C MM	L MM	G MM	Wt. Kg.
96	8	125	1.75	7200	28	30	96	44	50	35	4	1.7
112	10	250	3.5	6100	38	42	112	62	68	45	4	3.1
125	8	400	5.6	5500	40	48	125	65	75	50	4	4.4
140	10	520	7.3	4900	48	55	140	76	88	55	4	6.0
160	9	750	10.5	4500	55	60	160	85	95	60	4	8.6
180	10	1050	14.7	3800	65	70	180	102	112	70	4	12.6
200	12	1450	20.3	3400	75	80	200	120	128	80	7	17.5
225	11	2400	33.7	3000	85	90	225	134	144	90	7	25
250	12	3000	42.1	2700	95	105	250	154	164	100	7	34
285	11	4900	68.8	2400	105	110	285	166	176	110	7	50
320	12	6000	84	2100	120	125	320	190	195	125	10	70
360	11	10000	140	1900	130	135	360	205	210	140	10	97
400	10	14000	196	1700	135	145	400	218	230	160	6	131
450	12	21000	295	1500	160	160	450	255	255	180	6	186
500	14	27500	385	1350	180	180	500	290	290	200	6	261
560	10	33100	465	1200	200	200	560	320	320	220	6	391
630A	12	46000	645	1050	160	160	630	300	300	240	6	515
630B	12	46000	645	1050	220	220	630	355	355	240	7	535
710A	12	80000	1122	950	180	180	710	350	350	290	7	570
710B	12	80000	1122	950	240	240	710	400	400	290	7	590
800A	14	110000	1543	850	220	220	800	420	420	290	7	760
800B	14	110000	1543	850	260	260	800	460	460	290	7	795
800C	14	110000	1543	850	290	290	800	490	490	290	7	815
900A	16	190000	2666	750	250	250	900	470	470	340	7	1000
900B	16	190000	2666	750	300	300	900	515	515	340	7	1055
900C	16	190000	2666	750	340	340	900	560	560	340	10	1105

We offer "Pin Bush Type Flexible Couplings". The function of Pin Bush Type Flexible Couplings is to Transmit torque from one shaft to another in cases where limited misalignment may occur and also to absorb shock loads. The Unique Pin Bush Type Flexible Coupling transmits the torque through high tensile steel bolts to the machine in put shaft, highly developed rubber compounds are used in bushes to absorb shock loads, torsional vibrations and slight misalignments.